

CONCEALED DUCTED FN COIL UNIT (HIGH ESP)



SPECIFICATIONS

CABINET

Single Skin: Casing made of 1.2mm powder coated galvanized steel sheets, internally insulated with 15mm closed cell foam insulation.

Double Skin: Casing made of 1.0mm outer and 0.6mm inner powder coated galvanized steel sheets, with 15mm thick closed cell foam insulation.

Option 1: 25mm thick closed cell foam insulation (additional cost).

Option 2: For Hygienic unit, inner stainless steel sheet (additional cost).

Option 3: Return air spigot with bottom withdrawal air filter (additional cost).

FAN SECTION

Fan Motor: 3 speed fan motors with permanent split capacitor, thermal overload protection, and lifetime lubricated ball bearing.

Fan Blower: DIDW forward curved centrifugal fan blower made of galvanized steel directly driven by fan motors.

All fan blowers are statically and dynamically balanced.

COIL SECTION

Cooling coils made out of 10mm or 12mm OD copper tubes mechanically bonded into aluminum fins, with copper header; fin thickness 0.1mm, with fin spacing 2.0mm (12FPI). Cooling coils are ARI rated.

DRAIN PAN

Drain pan made of powder coated galvanized steel along with auxiliary drain pan extending under valve package, insulated with closed cell foam.

Option: Drain pan made of stainless steel (additional cost).

FILTER SECTION

12mm thick aluminum return air filter assembled in aluminum frames provided for easy withdrawal and replacement.

HEATER BATTERY

PTC Electrical Heater Battery is supplied with inbuilt thermal protection for heating application on special requirement (additional cost).

Unit Model		HCFC-03H1	HCFC-04H1	HCFC-05H1	HCFC-06H1	HCFC-08H1	HCFC-10H1	
Unit Performance								
Nom. Airflow Rate	High	(L/S)	146	186	216	261	410	485
	Medium	(L/S)	127	160	190	239	364	428
	Low	(L/S)	111	139	165	205	320	380
External Static Pressure ¹		(Pa)	Nominal 100 Pa (100 ~ 150 Pa)					
Noise Level ²	High	(dB(A))	<60	<62	<63	<65	<66	<68
	Medium	(dB(A))	<57	<58	<61	<63	<63	<65
	Low	(dB(A))	<55	<55	<57	<60	<61	<61
Physical Data								
Cooling Coil Size ³	Fin Height	(mm)	203	203	254	254	305	305
	Fin Length	(mm)	510	610	610	864	762	914
	Coil Style		3/8" OD Copper Tube + Hydrophilic Aluminum Fins 12 FPI					
	Max. Working Pre		20.0 Bar					
Power Supply			220-240V/1PH/50HZ					
Fan Motor	Motor Type		3-Speed Fan Motor					
	Output ²	(w)	80	100	120	150	150	180
	Qty		1	1	1	1	1	1
Fan Blower	Qty		1	1	1	2	1	1
	Size (Dia x L)	(mm)	200 x 190	200 x 190	200 x 190	180 x 200	200 x 190	200 x 190
	Fan Blower Type		Double Inlet Forward Curved Centrifugal Fan Blower					
Chilled Water Connection		(inch)	Inner 1/2" FPT - Outer 3/4" MPT					
Drainage Connection		(inch)	3/4" MPT					
Standard Dimension - Single Skin Unit ⁴			590 x 820 x 315	590 x 920 x 315	590 x 1170 x 315	742 x 1220 x 410		
Standard Dimension - Double Skin Unit ⁵		(mm)	600 x 880 x 365	600 x 980 x 365	600 x 1230 x 365	742 x 1280 x 460		
Packing Dimension - Single Skin Unit ⁴			600 x 850 x 360	600 x 950 x 360	600 x 1200 x 360	755 x 1250 x 420		
Packing Dimension - Double Skin Unit ⁵		(mm)	615 x 910 x 410	615 x 1010 x 410	600 x 1260 x 410	755 x 1310 x 505		
Net Weight ⁶	4 Row Coil	(kg)	43.0	43.5	50.0	55.0	66.0	75.0
	5 Row Coil	(kg)	45.5	46.5	53.0	59.0	70.0	80.0
	6 Row Coil	(kg)	48.0	49.5	56.0	63.0	74.0	84.5

NOTES

- (1) External Static Pressure are measured based on Medium dirty polyester air filter.
- (2) Unit noise level and fan motor output are stated based on 4-row cooling coil, and can be different for units with other size cooling coils.
- (3) 1/2" OD copper tube cooling coils are available with all models.
- (4) Standard dimension and packing dimension for single skin unit based on 15mm thick closed cell foam insulation.
- (5) Standard dimension and packing dimension for double skin units based on 15mm thick closed cell foam insulation.
- (6) Please add 3kg onto net weights in calculating the shipping data.

Unit Model		HCFC-12H1	HCFC-14H1	HCFC-18H1	HCFC-20H1	HCFC-24H1	
Unit Performance							
Nom. Airflow Rate	High	(L/S)	605	775	905	980	1186
	Medium	(L/S)	524	670	810	875	1031
	Low	(L/S)	452	582	695	766	930
External Static Pressure ¹		(Pa)	Nominal 100 Pa (100 ~ 150 Pa)				
Noise Level ²	High	(dB(A))	<70	<70	<71	<72	<75
	Medium	(dB(A))	<66	<67	<66	<68	<71
	Low	(dB(A))	<63	<65	<63	<65	<69
Physical Data							
Cooling Coil Size ³	Fin Height	(mm)	305	356	356	381	445
	Fin Length	(mm)	1067	1067	1219	1219	1219
	Coil Style		3/8" OD Copper Tube + Hydrophilic Aluminum Fins 12 FPI			1/2" OD Copper Tube + Hydrophilic Aluminum Fins 12 FPI	
	Max. Working Pre		20.0 Bar				
Power Supply			220-240V/1PH/50HZ				
Fan Motor	Motor Type		3-Speed Fan Motor				
	Output ²	(w)	200	300	450	500	320
	Qty		1	1	1	1	2
Fan Blower	Qty		2	2	2	2	2
	Size (Dia x L)	(mm)	200 x 190	200 x 190	200 x 190	200 x 190	225 x 300
	Fan Blower Type		Double Inlet Forward Curved Centrifugal Fan Blower				
Chilled Water Connection		(inch)	3/4" FPT - 1" MPT				
Drainage Connection		(inch)	3/4" MPT				
Standard Dimension - Single Skin Unit ⁴			742 x 1370 x 410	742 x 1523 x 475		825 x 1523 x 540	
Standard Dimension - Double Skin Unit ⁵		(mm)	742 x 1430 x 460	742 x 1523 x 475		825 x 1523 x 540	
Packing Dimension - Single Skin Unit ⁴			755 x 1400 x 440	755 x 1570 x 505		840 x 1570 x 560	
Packing Dimension - Double Skin Unit ⁵		(mm)	755 x 1460 x 505	755 x 1550 x 520		840 x 1570 x 560	
Net Weight ⁶	4 Row Coil	(kg)	79.5	85.0	92.0	99.0	118.0
	5 Row Coil	(kg)	85.0	92.0	99.0	108.0	126.0
	6 Row Coil	(kg)	84.5	99.0	106.0	116.0	135.0

NOTES

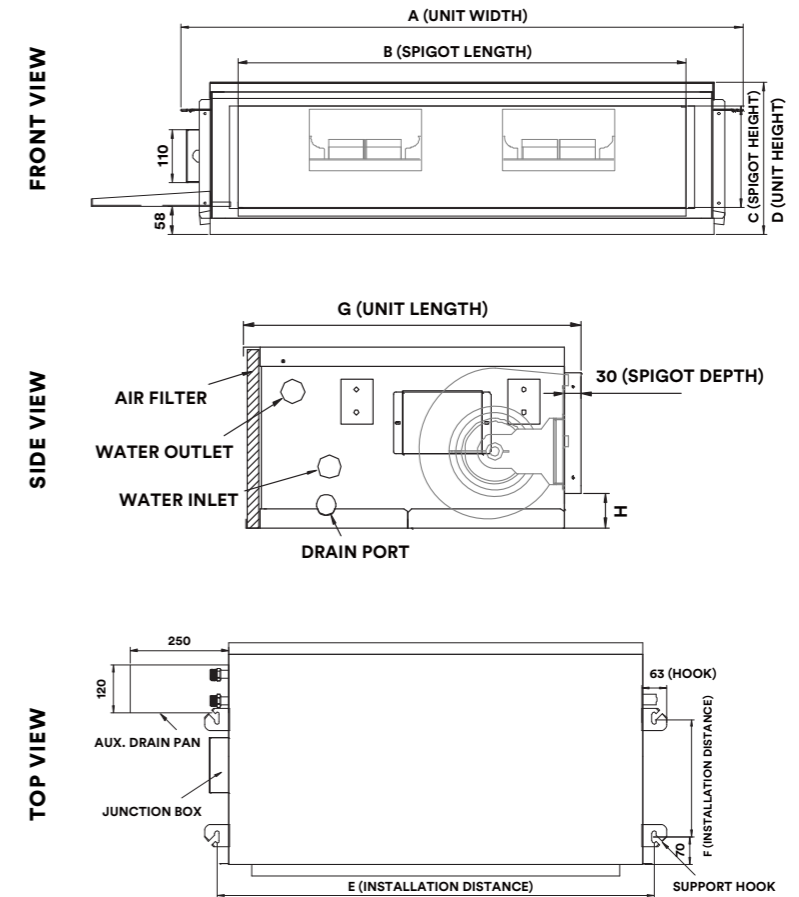
- (1) External Static Pressure are measured based on Medium dirty polyester air filter.
- (2) Unit noise level and fan motor output are stated based on 4-row cooling coil, and can be different for units with other size cooling coils.
- (3) 1/2" OD copper tube cooling coils are available with all models.
- (4) Standard dimension and packing dimension for single skin unit based on 15mm thick closed cell foam insulation.
- (5) Standard dimension and packing dimension for double skin units based on 15mm thick closed cell foam insulation.
- (6) Please add 3kg onto net weights in calculating the shipping data.

Unit Model		HCFC-30H1	HCFC-36H1	HCFC-42H1	HCFC-48H1	HCFC-54H1	
Unit Performance							
Nom. Airflow Rate	High	(L/S)	1460	1745	1925	2150	2360
	Medium		1315	1530	1720	1930	2170
	Low		1178	1348	1560	1690	1935
External Static Pressure ¹		(Pa)	Nominal 100 Pa (100 ~ 150 Pa)				
Noise Level ²	High	dB(A)	<77	<78	<80	<82	<84
	Medium		<74	<75	<76	<79	<79
	Low		<72	<72	<72	<75	<76
Physical Data							
Cooling Coil Size ³	Fin Height	(mm)	445	445	508	508	508
	Fin Length	(mm)	1372	1524	1524	1652	1830
	Coil Style		1/2" OD Copper Tube + Hydrophilic Aluminum Fins 12 FPI				
	Max. Working Pre		20.0 Bar				
Power Supply			220-240V/1PH/50HZ				
Fan Motor	Motor Type		3-Speed Fan Motor				
	Output ²	(w)	450	450	550	750	1000
	Qty		2	2	2	2	2
Fan Blower	Qty		2	2	2	2	2
	Size (Dia x L)	(mm)	250 x 340	280 x 360	280 x 360	280 x 360	280 x 360
	Fan Blower Type		Double Inlet Forward Curved Centrifugal Fan Blower				
Chilled Water Connection		(inch)	1-1/4" MPT				
Drainage Connection		(inch)	3/4" MPT				
Standard Dimension - Single Skin Unit ⁴			825 x 1695	895 x 1845	995 x 1845	995 x 1970	995 x 2150
Standard Dimension - Double Skin Unit ⁵			(mm) x 540	x 540	x 615	x 615	x 615
Packing Dimension - Single Skin Unit ⁴			840 x 1745	910 x 1895	1010 x 1895	1040 x 2020	1040 x 2260
Packing Dimension - Double Skin Unit ⁵			(mm) x 560	x 560	x 635	x 635	x 635
Net Weight ⁶	4 Row Coil	(kg)	145.0	165.0	168.0	184.0	199.0
	5 Row Coil	(kg)	156.0	177.0	181.0	197.0	213.0
	6 Row Coil	(kg)	166.0	189.0	194.0	210.0	228.0

NOTES

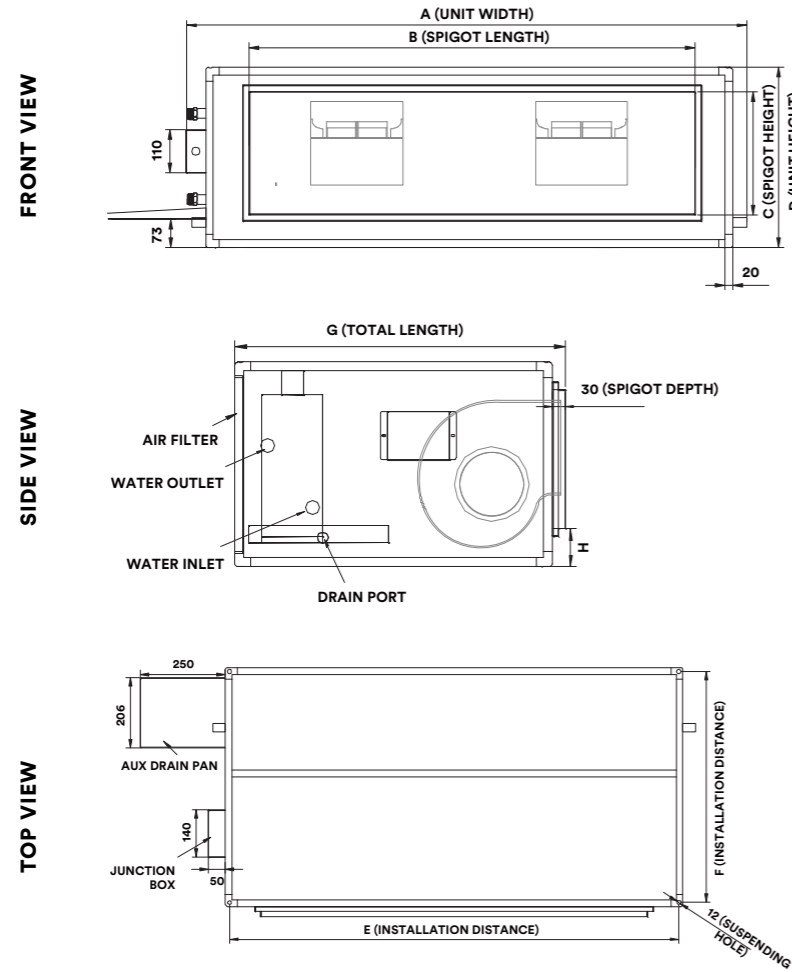
- (1) External Static Pressure are measured based on Medium dirty polyester air filter.
- (2) Unit noise level and fan motor output are stated based on 4-row cooling coil, and can be different for units with other size cooling coils.
- (3) 1/2" OD copper tube cooling coils are available with all models.
- (4) Standard dimension and packing dimension for single skin unit based on 15mm thick closed cell foam insulation.
- (5) Standard dimension and packing dimension for double skin units based on 15mm thick closed cell foam insulation.
- (6) Please add 3kg onto net weights in calculating the shipping data.

Single Skin Unit



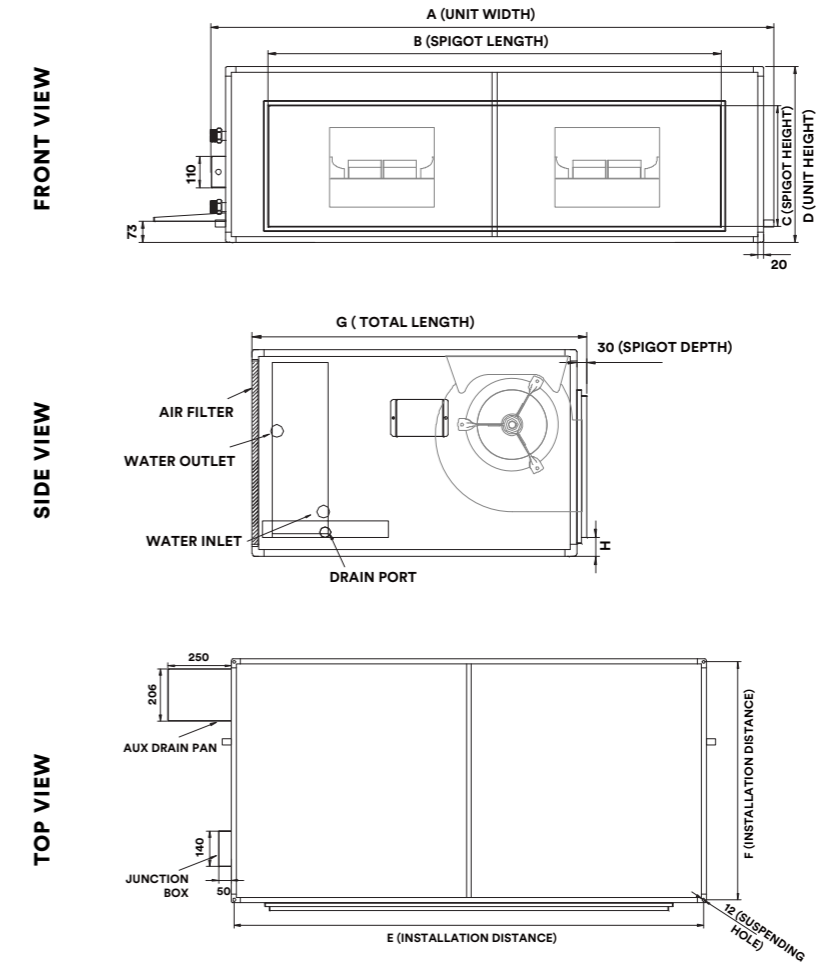
UNIT MODEL	A (mm)	B (mm)	C (mm)	D (mm)	E (mm)	F (mm)	G (mm)	H (mm)
HCFC-03H1S	820	581	212	315	757	300	590	52
HCFC-04H1S	920	681	212	315	857	300	590	41
HCFC-05H1S	920	681	212	315	857	300	590	41
HCFC-06H1S	1170	931	211	315	1107	300	590	41
HCFC-08H1S	1220	653	291	410	1154	474	742	72
HCFC-10H1S	1220	653	291	410	1154	474	742	72
HCFC-12H1S	1370	1007	291	410	1334	474	742	52
HCFC-14H1S	1370	1007	291	410	1334	474	742	52
HCFC-18H1S	1523	1207	291	469	1459	474	742	128
HCFC-20H1S	1523	1207	291	469	1459	474	742	128

Double Skin Unit



UNIT MODEL	A (mm)	B (mm)	C (mm)	D (mm)	E (mm)	F (mm)	G (mm)	H (mm)
HCFC-03H1DA	880	569	212	365	774	550	600	89
HCFC-04H1DA	980	569	212	365	874	550	600	89
HCFC-05H1DA	980	569	212	365	874	550	600	89
HCFC-06H1DA	1230	935	212	365	1124	550	600	94
HCFC-08H1DA	1100	736	311	460	994	692	742	85
HCFC-10H1DA	1280	736	311	460	1174	692	742	85
HCFC-12H1DA	1430	1135	311	460	1324	692	742	85
HCFC-14H1DA	1430	1135	311	460	1324	692	742	85
HCFC-18H1DA	1523	1135	311	475	1417	692	742	100
HCFC-20H1DA	1523	1135	311	475	1417	692	742	100

Single and Double Skin Unit



UNIT MODEL	A (mm)	B (mm)	C (mm)	D (mm)	E (mm)	F (mm)	G (mm)	H (mm)
HCFC-24H1DA	1523	1136	311	540	1417	775	825	67
HCFC-30H1DA	1695	1301	367	540	1583	775	825	57
HCFC-36H1DA	1845	1301	367	540	1733	845	895	57
HCFC-42H1DA	1845	1301	367	615	1733	945	995	69
HCFC-48H1DA	1970	1578	421	615	1860	945	995	56
HCFC-54H1DA	2150	1578	421	615	2038	945	995	65

CONCEALED DUCTED FAN COIL UNIT (HIGH ESP)

Unit Model	Rows of Coil	Fan Speed	Air on DBT/WBT 23°C/16°C				Air on DBT/WBT 24°C/18°C			
			Standard Appli- cation EWT/LWT 5.5°C/11.5°C		High Delta T Appli- cation EWT/LWT 5.5°C/14.5°C		Standard Appli- cation EWT/LWT 5.5°C/11.5°C		High Delta T Appli- cation EWT/LWT 5.5°C/14.5°C	
			T.C.	S.C.	T.C.	S.C.	T.C.	S.C.	T.C.	S.C.
			(kw)	(kw)	(kw)	(kw)	(kw)	(kw)	(kw)	(kw)
HCFC-03H1	4	High	2.4	2.0	1.9	1.8	2.6	1.8	2.4	1.7
		Medium	2.1	1.8	1.7	1.6	2.4	1.7	2.2	1.6
		Low	2.0	1.6	1.6	1.4	2.2	1.5	2.0	1.4
	5	High	2.7	2.2	2.2	2.0	3.2	2.1	2.8	2.0
		Medium	2.5	1.9	2.0	1.8	2.9	1.9	2.6	1.8
		Low	2.2	1.7	1.8	1.6	2.6	1.7	2.4	1.6
	6	High	2.9	2.3	2.5	2.1	3.7	2.4	3.2	2.2
		Medium	2.6	2.0	2.3	1.9	3.4	2.1	2.9	1.9
		Low	2.3	1.8	2.0	1.7	3.0	1.9	2.6	1.7
HCFC-04H1	4	High	3.0	2.5	2.4	2.2	3.4	2.4	3.1	2.2
		Medium	2.7	2.2	2.2	2.0	3.1	2.1	2.8	2.0
		Low	2.5	2.0	2.0	1.8	2.9	1.9	2.6	1.8
	5	High	3.1	2.6	2.9	2.5	4.1	2.7	3.6	2.5
		Medium	2.8	2.3	2.6	2.2	3.7	2.4	3.3	2.2
		Low	2.6	2.1	2.3	2.0	3.3	2.2	3.0	2.0
	6	High	3.7	2.9	3.2	2.7	4.6	3.0	3.9	2.7
		Medium	3.3	2.6	2.9	2.4	4.1	2.6	3.5	2.4
		Low	3.0	2.3	2.6	2.1	3.7	2.3	3.2	2.1
HCFC-05H1	4	High	3.3	2.8	2.6	2.5	4.3	2.9	3.3	2.5
		Medium	3.0	2.6	2.4	2.3	4.0	2.6	3.0	2.3
		Low	2.8	2.3	2.2	2.0	3.6	2.4	2.8	2.0
	5	High	3.7	3.1	3.0	2.8	4.9	3.2	3.7	2.7
		Medium	3.4	2.8	2.7	2.5	4.5	2.9	3.4	2.5
		Low	3.1	2.5	2.5	2.2	4.0	2.6	3.1	2.2
	6	High	4.2	3.3	3.7	3.1	5.4	3.5	4.3	3.0
		Medium	3.8	3.0	3.4	2.8	5.0	3.2	3.9	2.7
		Low	3.4	2.7	3.0	2.5	4.5	2.8	3.6	2.4
HCFC-06H1	4	High	4.0	3.4	3.6	3.2	5.2	3.5	4.0	3.0
		Medium	3.8	3.2	3.4	3.0	4.9	3.3	3.8	2.8
		Low	3.4	2.8	3.1	2.7	4.5	2.9	3.4	2.5
	5	High	4.7	3.8	3.8	3.4	5.9	3.8	4.8	3.4
		Medium	4.4	3.5	3.6	3.2	5.5	3.6	4.5	3.2
		Low	4.0	3.1	3.2	2.8	5.0	3.2	4.1	2.8
	6	High	4.9	4.0	4.5	3.8	6.4	4.1	5.5	3.8
		Medium	4.6	3.7	4.2	3.5	6.0	3.9	5.2	3.5
		Low	4.1	3.3	3.8	3.1	5.4	3.4	4.6	3.1

CONCEALED DUCTED FAN COIL UNIT (HIGH ESP)

Unit Model	Rows of Coil	Fan Speed	10.Air on DBT/WBT 23°C/16°C				11.3Air on DBT/WBT 24°C/18°C			
			Standard Appli- cation EWT/LWT 5.5°C/11.5°C		High Delta T Appli- cation EWT/LWT 5.5°C/14.5°C		Standard Appli- cation EWT/LWT 5.5°C/11.5°C		High Delta T Appli- cation EWT/LWT 5.5°C/14.5°C	
			T.C.	S.C.	T.C.	S.C.	T.C.	S.C.	T.C.	S.C.
			(kw)	(kw)	(kw)	(kw)	(kw)	(kw)	(kw)	(kw)
HCFC-08H1	4	High	5.8	5.0	5.0	4.7	7.5	5.1	6.3	4.6
		Medium	5.3	4.6	4.6	4.3	7.0	4.7	5.8	4.3
		Low	4.9	4.2	4.2	3.9	6.4	4.3	5.4	3.9
	5	High	6.8	5.7	5.7	5.2	8.8	5.8	7.2	5.2
		Medium	6.3	5.2	5.2	4.7	8.2	5.4	6.7	4.7
		Low	5.8	4.7	4.8	4.3	7.5	4.9	6.1	4.3
	6	High	7.7	6.2	6.3	5.5	9.3	6.1	7.9	5.6
		Medium	7.1	5.6	5.8	5.0	8.6	5.6	7.3	5.1
		Low	6.4	5.1	5.3	4.5	7.9	5.1	6.7	4.6
HCFC-10H1	4	High	7.1	6.1	6.1	5.7	9.2	6.2	7.1	5.4
		Medium	6.6	5.5	5.7	5.2	8.5	5.7	6.6	4.9
		Low	6.1	5.1	5.2	4.7	7.9	5.2	6.1	4.5
	5	High	8.3	6.8	7.0	6.2	10.5	7.0	8.9	6.3
		Medium	7.7	6.2	6.4	5.7	9.7	6.4	8.2	5.7
		Low	7.1	5.7	5.9	5.2	9.0	5.8	7.6	5.2
	6	High	8.8	7.2	7.7	6.7	11.5	7.5	9.8	6.8
		Medium	8.1	6.5	7.0	6.0	10.5	6.8	9.0	6.1
		Low	7.4	5.9	6.5	5.5	9.6	6.2	8.3	5.6
HCFC-12H1	4	High	8.9	7.5	7.1	6.8	10.9	7.5	8.9	6.7
		Medium	8.1	6.8	6.5	6.1	10.0	6.8	8.2	6.0
		Low	7.4	6.1	5.9	5.5	9.1	6.1	7.5	5.4
	5	High	10.2	8.4	8.5	7.7	12.4	8.4	10.7	7.6
		Medium	9.3	7.5	7.7	6.8	11.3	7.5	9.8	6.9
		Low	8.4	6.7	7.0	6.1	10.3	6.7	8.9	6.2
	6	High	11.1	9.0	9.6	8.3	14.3	9.3	12.2	8.4
		Medium	10.0	8.0	8.7	7.4	13.0	8.3	11.1	7.6
		Low	9.0	7.1	7.8	6.6	11.6	7.4	10.1	6.7
HCFC-14H1	4	High	11.0	9.4	8.8	8.5	13.6	9.4	11.0	8.3
		Medium	10.0	8.5	8.0	7.6	12.4	8.5	10.1	7.5
		Low	9.1	7.6	7.3	6.9	11.4	7.7	9.3	6.8
	5	High	12.1	10.3	10.5	9.6	15.6	10.5	13.2	9.5
		Medium	10.9	9.2	9.5	8.6	14.2	9.4	12.1	8.6
		Low	10.0	8.2	8.7	7.7	13.0	8.5	11.1	7.7
	6	High	13.9	11.3	11.9	10.5	17.0	11.3	14.9	10.4
		Medium	12.5	10.1	10.8	9.3	15.4	10.1	13.5	9.3
		Low	11.3	9.0	9.8	8.3	14.0	9.1	12.3	8.4

CONCEALED DUCTED FAN COIL UNIT (HIGH ESP)

Unit Model	Rows of Coil	Fan Speed	Air on DBT/WBT 23°C/16°C				Air on DBT/WBT 24°C/18°C			
			Standard Application EWT/LWT 5.5°C/11.5°C		High Delta T Application EWT/LWT 5.5°C/14.5°C		Standard Application EWT/LWT 5.5°C/11.5°C		High Delta T Application EWT/LWT 5.5°C/14.5°C	
			T.C.	S.C.	T.C.	S.C.	T.C.	S.C.	T.C.	S.C.
			(kw)	(kw)	(kw)	(kw)	(kw)	(kw)	(kw)	(kw)
HCFC-18H1	4	High	12.5	10.8	10.4	10.0	16.1	11.0	13.1	9.8
		Medium	11.6	10.0	9.7	9.2	15.1	10.2	12.3	9.1
		Low	10.5	8.9	8.9	8.2	13.7	9.2	11.2	8.1
HCFC-18H1	5	High	14.3	12.0	12.2	11.1	18.4	12.3	15.3	11.1
		Medium	13.2	11.1	11.3	10.2	17.2	11.4	14.3	10.2
		Low	12.0	9.8	10.2	9.1	15.6	10.2	13.0	9.1
HCFC-18H1	6	High	15.6	12.9	13.8	12.2	20.2	13.3	16.9	12.0
		Medium	14.5	11.8	12.9	11.1	18.7	12.2	15.8	11.0
		Low	12.9	10.5	11.5	9.9	16.9	10.9	14.2	9.8
HCFC-20H1	4	High	14.6	12.8	11.1	11.0	18.5	12.8	14.3	11.2
		Medium	13.5	11.7	10.9	10.6	17.2	11.8	13.4	10.3
		Low	12.4	10.6	9.9	9.5	15.9	10.8	12.3	9.3
HCFC-20H1	5	High	17.0	14.2	13.9	12.9	19.7	13.6	17.2	12.6
		Medium	15.8	13.0	12.8	11.7	18.4	12.5	16.0	11.6
		Low	14.3	11.6	11.7	10.5	16.8	11.3	14.7	10.5
HCFC-20H1	6	High	17.9	14.8	15.8	13.8	22.9	15.1	19.7	13.8
		Medium	16.5	13.5	14.5	12.6	21.2	13.9	18.3	12.7
		Low	15.0	12.1	13.2	11.3	19.3	12.5	16.7	11.4
HCFC-24H1	4	High	17.4	15.3	13.3	13.1	22.0	15.4	17.1	13.4
		Medium	15.9	13.7	12.7	12.4	20.2	13.9	15.7	12.1
		Low	14.8	12.1	11.9	11.5	19.0	12.9	14.7	11.2
HCFC-24H1	5	High	19.9	16.8	16.6	15.5	23.8	16.5	20.6	15.2
		Medium	18.1	15.1	15.1	13.8	21.8	14.9	18.8	13.6
		Low	16.9	13.9	14.0	12.7	20.4	13.7	17.6	12.6
HCFC-24H1	6	High	21.7	17.9	18.9	16.7	27.6	18.3	23.6	16.6
		Medium	19.6	15.9	17.1	14.8	25.1	16.4	21.5	14.9
		Low	18.2	14.6	15.8	13.6	23.3	15.1	20.1	13.7
HCFC-30H1	4	High	21.1	18.6	16.3	16.0	25.4	18.2	20.8	16.3
		Medium	19.7	17.2	16.0	15.6	23.9	16.9	19.6	15.2
		Low	18.4	15.8	14.9	14.3	22.3	15.6	18.4	14.0
HCFC-30H1	5	High	23.0	20.0	20.3	18.9	29.0	20.1	25.1	18.5
		Medium	21.4	18.4	18.9	17.4	27.2	18.6	23.5	17.1
		Low	19.9	16.9	17.5	15.9	25.4	17.2	21.9	15.7
HCFC-30H1	6	High	26.4	21.8	23.0	20.4	31.6	21.4	28.1	20.0
		Medium	24.6	20.0	21.4	18.7	29.6	19.8	26.2	18.4
		Low	22.7	18.3	19.7	17.0	27.5	18.2	24.4	16.9

CONCEALED DUCTED FAN COIL UNIT (HIGH ESP)

Unit Model	Rows of Coil	Fan Speed	Air on DBT/WBT 23°C/16°C				Air on DBT/WBT 24°C/18°C			
			Standard Application EWT/LWT 5.5°C/11.5°C		High Delta T Application EWT/LWT 5.5°C/14.5°C		Standard Application EWT/LWT 5.5°C/11.5°C		High Delta T Application EWT/LWT 5.5°C/14.5°C	
			T.C.	S.C.	T.C.	S.C.	T.C.	S.C.	T.C.	S.C.
			(kw)	(kw)	(kw)	(kw)	(kw)	(kw)	(kw)	(kw)
HCFC-36H1	4	High	23.9	21.6	19.4	19.1	27.1	20.3	24.7	19.4
		Medium	22.1	19.6	18.7	18.2	25.1	18.5	22.9	17.6
		Low	20.3	17.7	17.2	16.5	23.2	16.8	21.3	16.1
HCFC-36H1	5	High	27.3	23.8	24.1	22.4	31.2	21.5	29.0	21.7
		Medium	25.0	21.4	22.1	20.2	28.8	20.4	26.7	19.6
		Low	23.0	19.4	20.2	18.2	26.7	18.6	24.7	17.8
HCFC-36H1	6	High	29.7	25.2	26.8	24.0	37.6	25.5	31.9	23.2
		Medium	27.2	22.7	24.5	21.5	34.5	23.1	29.3	20.9
		Low	24.8	20.4	22.4	19.4	31.8	21.0	27.0	19.0
HCFC-42H1	4	High	26.9	24.1	22.7	22.4	30.3	22.6	27.7	21.0
		Medium	25.1	22.1	21.1	20.5	28.4	20.9	26.0	19.9
		Low	23.5	20.5	19.8	19.0	26.9	19.5	24.5	18.5
HCFC-42H1	5	High	30.4	26.3	27.0	24.9	38.3	26.5	31.8	23.9
		Medium	28.1	24.1	25.0	22.8	35.8	24.4	29.7	21.9
		Low	26.3	22.3	23.3	21.0	33.6	22.7	27.9	20.3
HCFC-42H1	6	High	33.1	28.0	28.4	26.0	42.0	28.4	35.3	25.6
		Medium	30.7	25.6	26.3	23.7	39.0	26.0	32.8	23.5
		Low	28.6	23.6	24.6	21.9	36.6	24.2	30.8	21.8
HCFC-48H1	4	High	30.1	26.9	25.4	25.0	34.2	25.3	31.1	24.1
		Medium	28.2	24.8	23.8	23.0	32.1	23.5	29.2	22.3
		Low	25.8	22.4	21.9	20.7	29.6	21.3	27.0	20.3
HCFC-48H1	5	High	34.0	29.4	30.2	27.8	42.9	29.6	35.7	26.7
		Medium	31.6	27.0	28.1	25.5	40.2	27.4	33.4	24.6
		Low	28.9	24.3	25.6	22.9	37.0	24.8	30.8	22.3
HCFC-48H1	6	High	37.2	31.3	31.9	29.1	47.2	31.8	39.7	28.7
		Medium	34.5	28.7	29.7	26.6	43.9	29.2	37.0	26.4
		Low	31.5	25.7	27.0	23.9	40.2	26.4	34.0	23.8
HCFC-54H1	4	High	30.9	28.6	28.6	27.7	38.7	28.3	33.4	26.2
		Medium	29.3	26.9	27.1	26.0	36.9	26.7	31.7	24.6
		Low	27.3	24.6	25.2	23.8	34.5	24.6	29.7	22.7
HCFC-54H1	5	High	38.1	32.6	32.6	30.3	44.2	31.3	40.1	29.7
		Medium	35.9	30.5	30.8	28.4	41.9	29.4	38.1	27.9
		Low	33.3	27.9	28.4	25.8	39.0	27.0	35.5	25.6
HCFC-54H1	6	High	41.7	34.7	35.8	32.3	48.8	33.7	44.6	31.9
		Medium	39.3	32.5	33.8	30.1	46.2	31.6	42.2	29.9
		Low	36.2	29.5	31.2	27.4	43.0	28.9	39.2	27.4