

OVEN HOODS





Type SHO

SAFID Hood type SHO is an exhaust only hood, designed to collect and remove heat and odors for non grease application (no make-up air through the hood).

Construction:

Hoods are constructed of 18 gauge (1.2mm thickness) stainless steel type 304 with no. 4 finish on the outer side and 2B mill finish on the inner side.

Seams are continuously welded liquidtight on the hood's lower outermost perimeter (NFPA 96) with all exposed weld to be grinded and polished to match no. 4 finish.

Dimensional Limitations:

Type SHO is available in lengths from 1000mm through 3000mm and in widths from 650mm to 1100 as a single section.

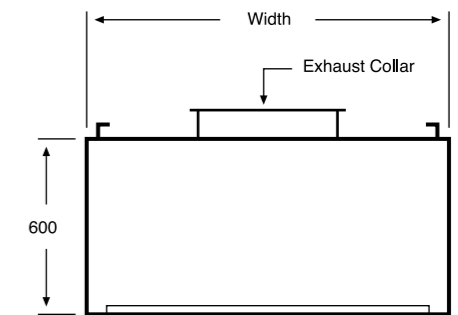
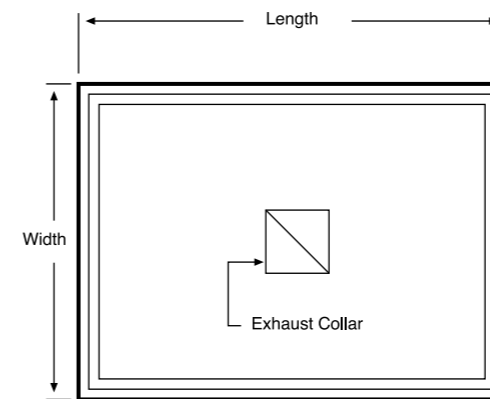
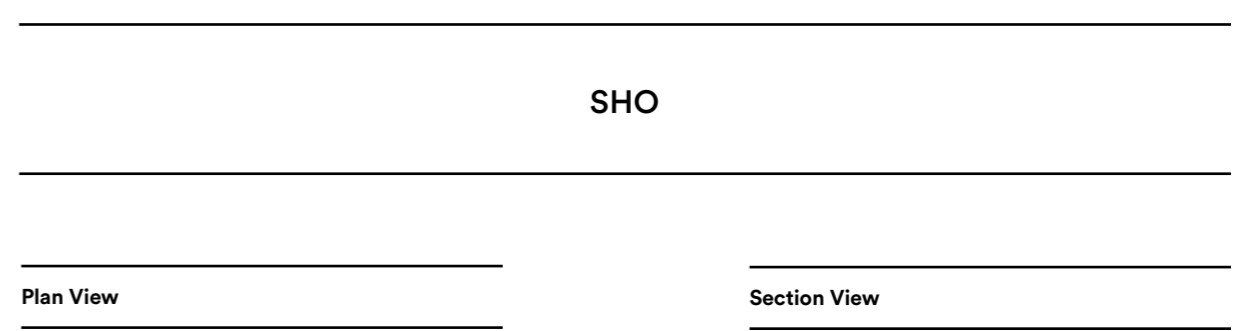
Standard Height:

600 mm

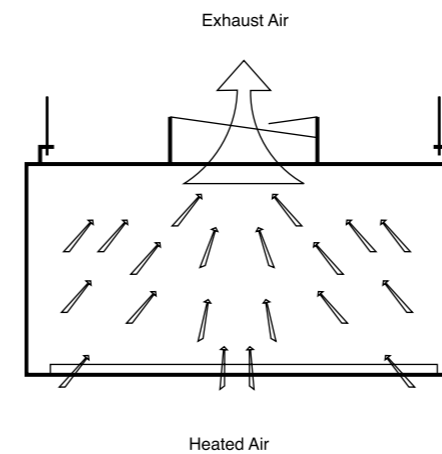
Height Range:

From 400mm to 800mm can be supplied upon request.

For greater lengths, hoods in multiple sections to be joined on site by bolts and nuts.



Typical Air Flow Pattern



Perspective View

