



# COMPENSATING HOOD WALL TYPE

---



SHW - 200

WALL TYPE SUPPLY & EXHAUST HOOD



**Type SHW - 200**

SAFID Hood type SHW - 200 series are supply and exhaust hood, designed for wall mounted applications; where tempered make-up air is delivered through grilles at the hood front face, internal side or perimeter downward discharge.

**Construction:**

Hoods are constructed of 18 gauge (1.2mm thickness) stainless steel type 304 with no. 4 finish. All unexposed surfaces are to be of gauge 22 (0.8mm thickness) stainless steel type 304, 2B mill finish.

Seams are continuously welded liquidtight on the hood's lower outermost perimeter (NFPA 96) with all exposed welds to be grinded and polished to match no. 4 finish.

Hoods to include filter housing constructed of the same materials as hood.

**Filters:**

All filters to be of the baffle type constructed of stainless steel type 304, no. 4 finish, supplied with fold down handles for easy removing and cleaning. Filter drain all grease into a full length grease trough made of stainless steel pitched to drain grease from filter and exhaust plenum into a removable grease cup.

**Lights:**

Hoods will be supplied with UL listed vaporproof incandescent light fixtures prewired to a junction box mounted on top of the hood, for field connection to power supply.

**Dimensional Limitations:**

Type SHW - 200 series is available in lengths from 1000mm through 3000mm and in widths from 850mm (for SHW - 200 A, 200 C, 200 AC), 1100mm (for SHW - 200 B, 200 AB, 200 BC) and up to 1250mm as a single section.

**Standard Height:**

600 mm

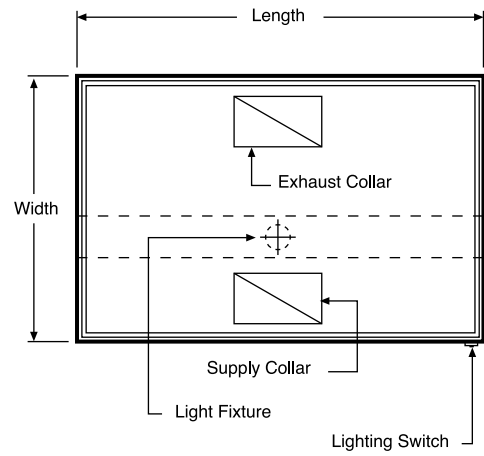
**Height Range:**

From 400mm to 800mm can be supplied upon request.

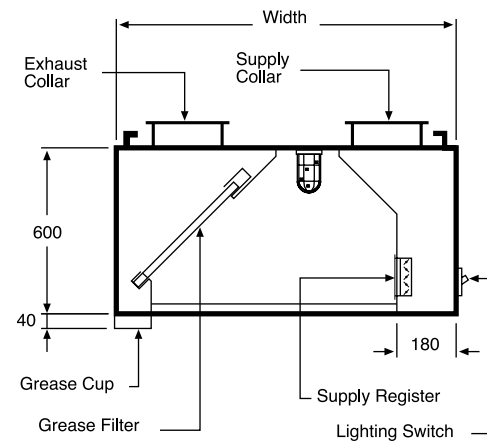
For greater lengths, hoods in multiple sections to be joined on site by bolts and nuts.

SHW - 200 SERIES: SHW - 200 A

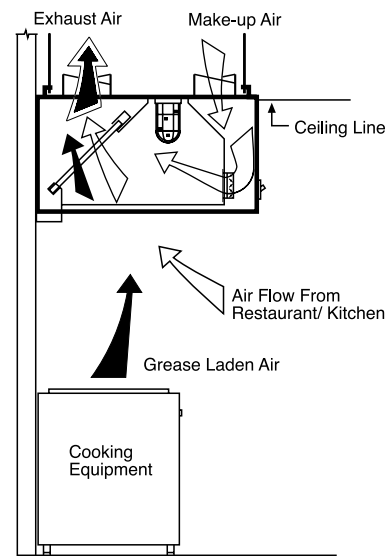
Plan View



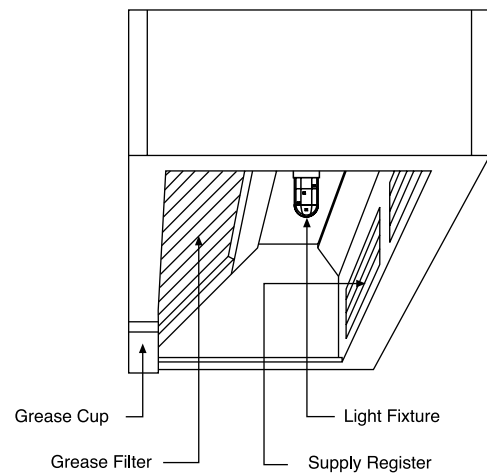
Section View



Typical Air Flow Pattern

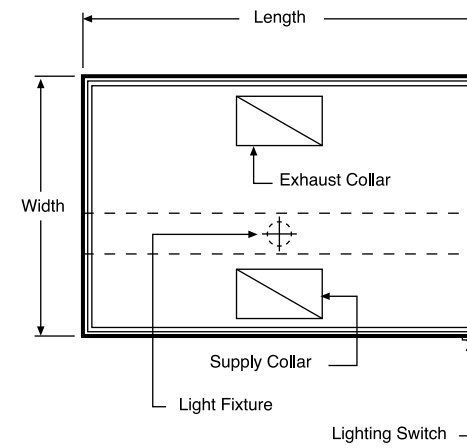


Perspective View

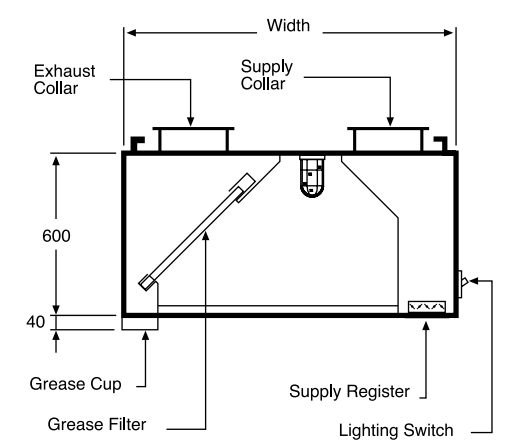


SHW - 200 SERIES: SHW - 200 B

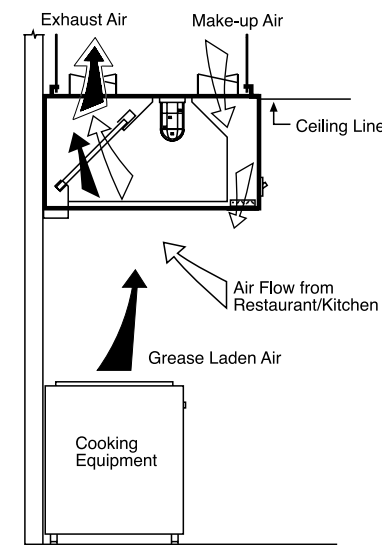
Plan View



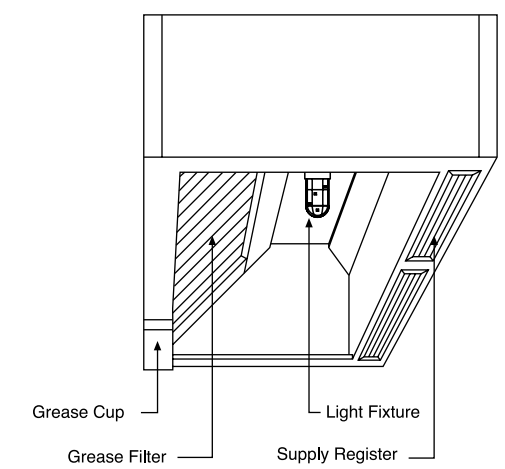
Section View



Typical Air Flow Pattern

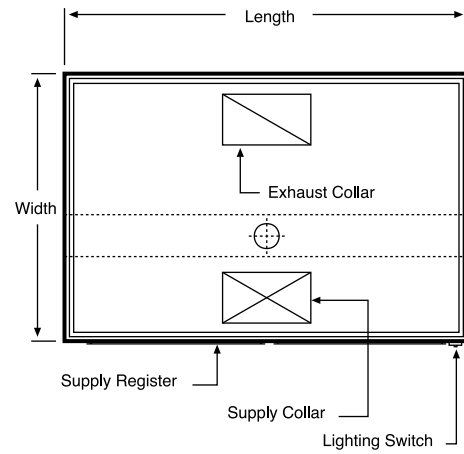


Perspective View

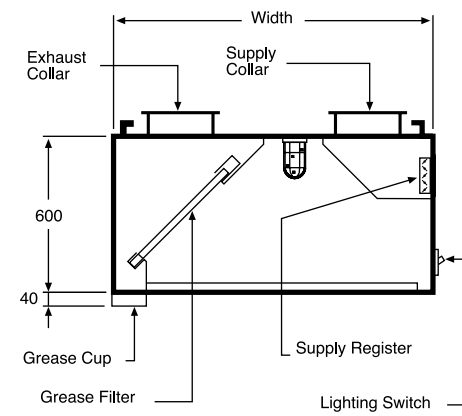


SHW - 200 SERIES: SHW - 200 C

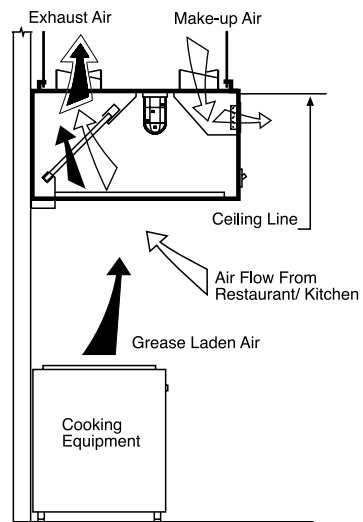
Plan View



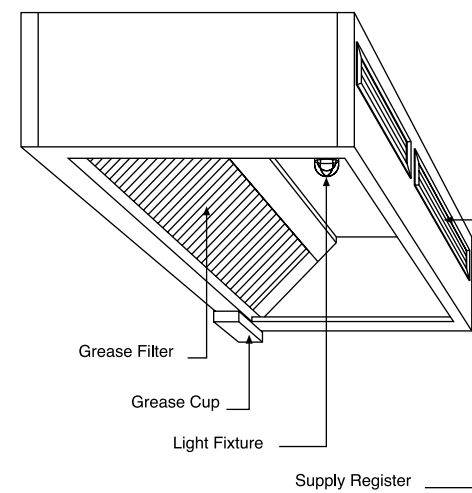
Section View



Typical Air Flow Pattern

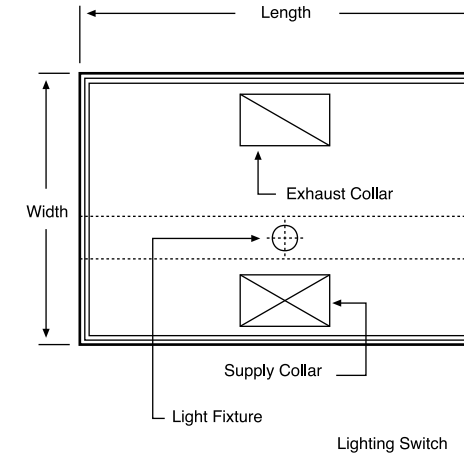


Perspective View

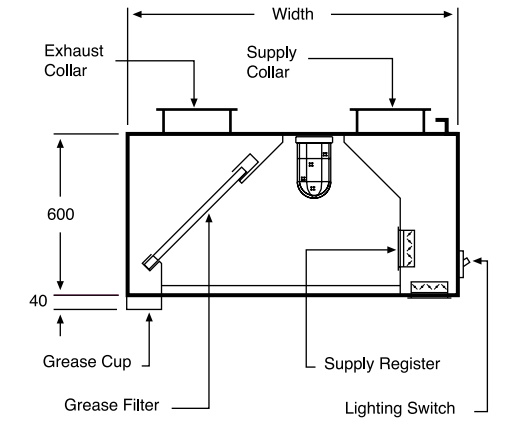


SHW - 200 SERIES: SHW - 200 AB

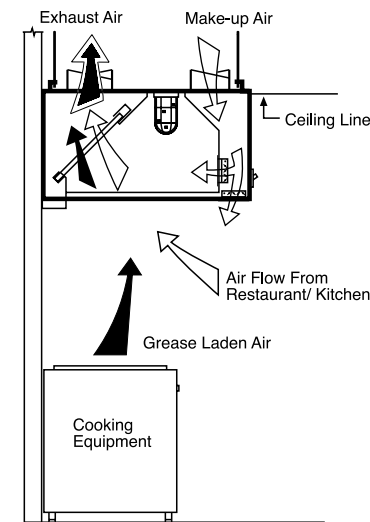
Plan View



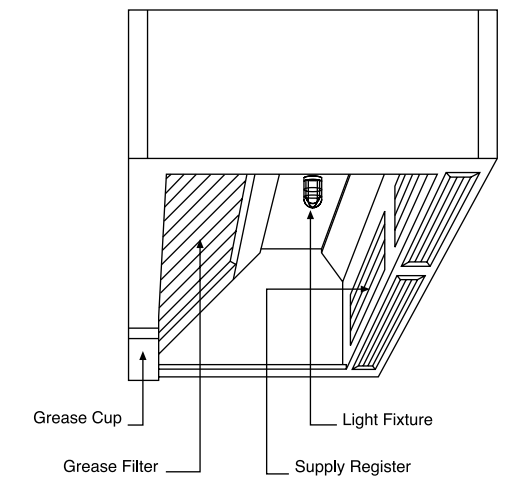
Section View



Typical Air Flow Pattern

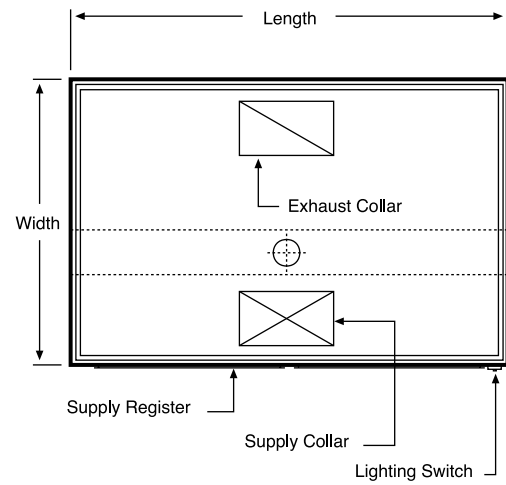


Perspective View

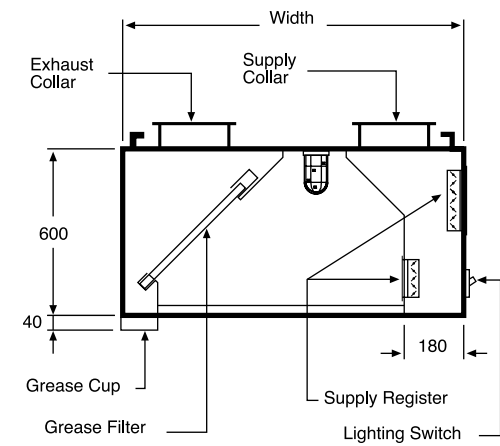


SHW - 200 SERIES: SHW - 200 AC

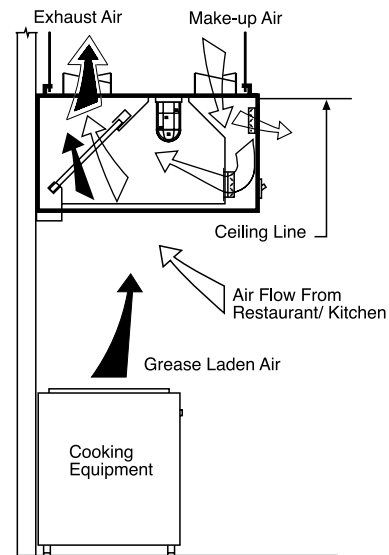
Plan View



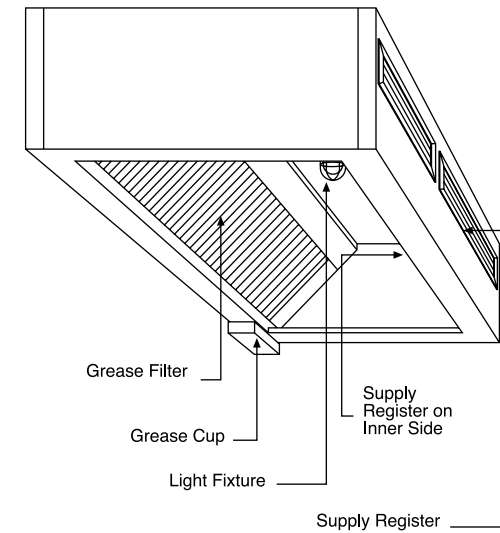
Section View



Typical Air Flow Pattern

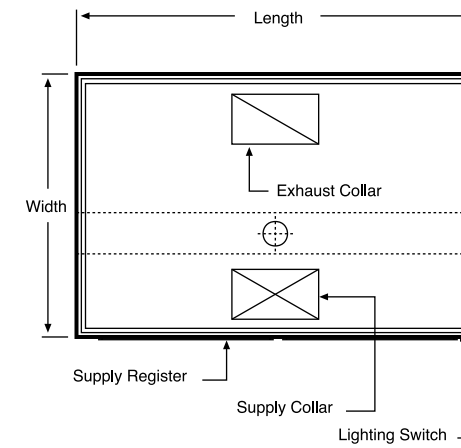


Perspective View

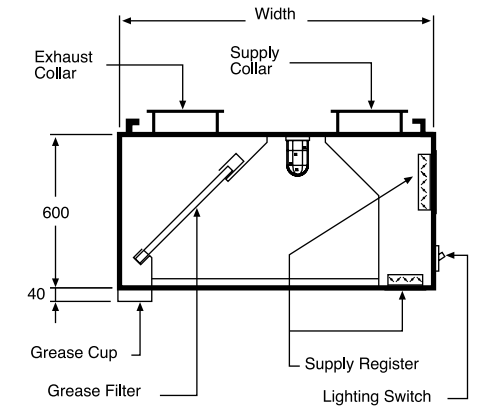


SHW - 200 SERIES: SHW - 200 BC

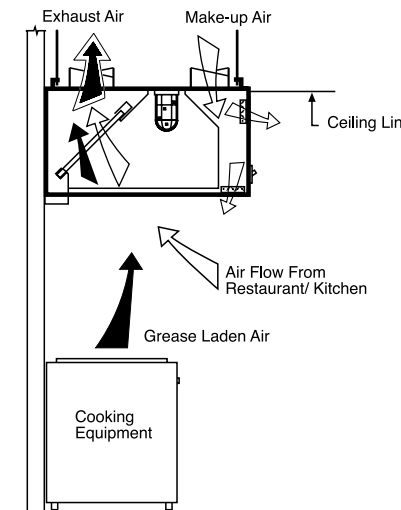
Plan View



Section View



Typical Air Flow Pattern



Perspective View

