

# WALL TYPE EXHAUST HOOD

---





**Type SHW - 100**

SAFID Hood type SHW - 100 is only exhaust hood, designed for wall type applications; where all air removed comes from outside the hood (no make-up air through the hood).

**Construction:**

Hoods are constructed of 18 gauge (1.2mm thickness) stainless steel type 304 with no. 4 finish. All unexposed surfaces are to be of gauge 22 (0.8mm thickness) stainless steel type 304, 2B mill finish.

Seams are continuously welded liquidtight on the hood's lower outermost perimeter (NFPA 96) with all exposed welds to be grinded and polished to match no. 4 finish.

Hoods to include filter housing constructed of the same materials as hood.

**Filters:**

All filters to be of the baffle type constructed of stainless steel type 304, no. 4 finish, supplied with fold down handles for easy removing and cleaning. Filter drain all grease into a full length grease trough made of stainless steel pitched to drain grease from filter and exhaust plenum into a removable grease cup.

**Lights:**

Hoods will be supplied with UL listed vaporproof incandescent light fixtures prewired to a junction box mounted on top of the hood, for field connection to power supply.

**WALL TYPE EXHAUST ONLY**

**Dimensional Limitations:**

Type SHW - 100 is available in lengths from 1000mm through 3000mm and in widths from 650mm to 1100 as a single section.

**Standard Height:**

600 mm

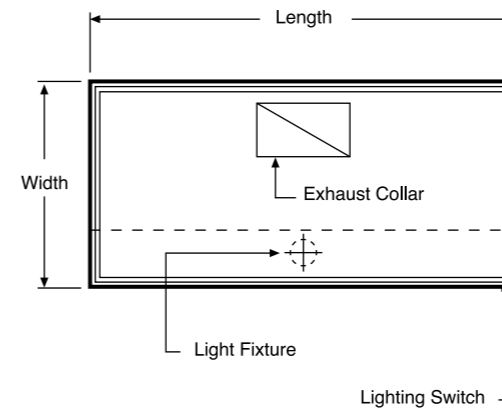
**Height Range:**

From 400mm to 800mm can be supplied upon request.

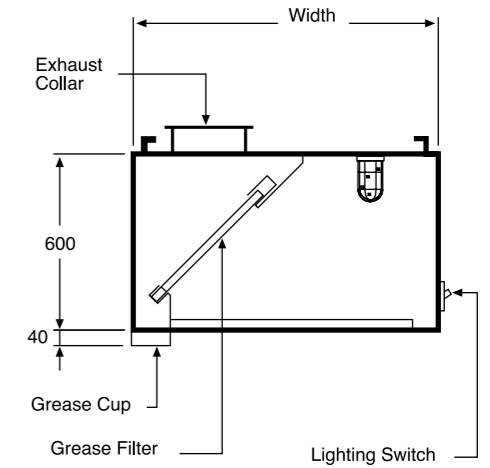
For greater lengths, hoods in multiple sections to be joined on site by bolts and nuts.

**SHW - 100**

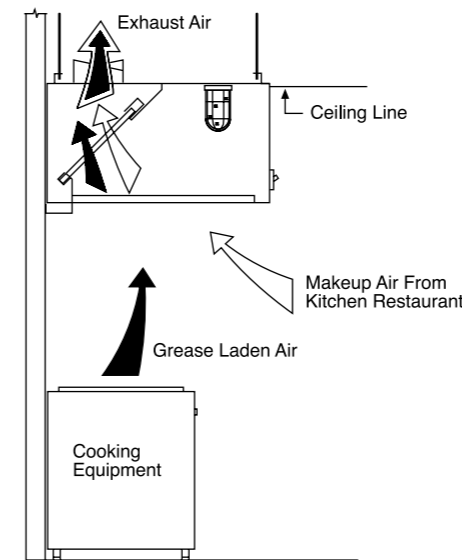
**Plan View**



**Section View**



**Typical Air Flow Pattern**



**Perspective View**

